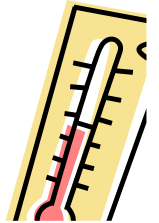


# Salinity Testing

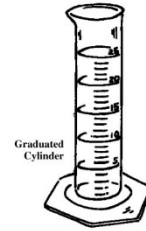
**1.** Take bucket and collect water



**2.** Take the Temperature of the water.



**2.** Pour water into your cylinder



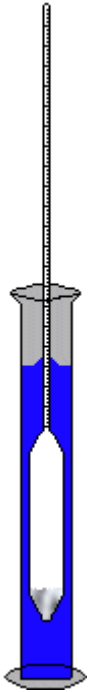
**3.** Use hydrometer to measure Salinity

(see back of page)

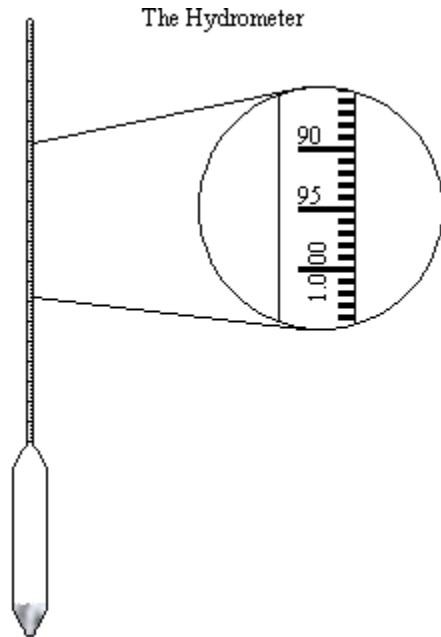


**4.** Write down the **Specific Gravity** on  
your sheet.

## Directions: Using a Hydrometer

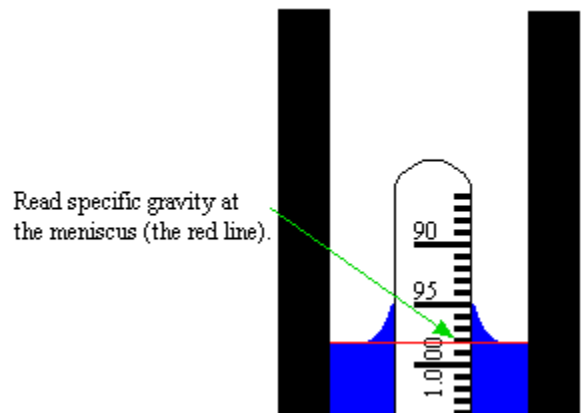


1. Fill the glass cylinder with sample water.
2. Put the hydrometer with the bulb end down. It will bob up and down in the sample. Note that the sample may overflow from the cylinder.
3. Assure that the hydrometer is not in contact with the sides of the cylinder and take the reading.



## Reading the Hydrometer

Extreme care should be taken when reading the hydrometer; it is very easy to misread the scale. Once the hydrometer has stopped bouncing up and down *and* the hydrometer is not touching the walls of the cylinder, a reading can be made. Note that a meniscus forms on the neck of the hydrometer. Just as reading the meniscus in a graduated cylinder, the user must take the reading where the plane of water is and not where the water clings up the neck of the hydrometer. See the image to the right. The correct reading of *this* hydrometer is about 0.982.



Once the reading has been made, clean the cylinder and hydrometer. Carefully place them into their protective packaging so they will not be broken.