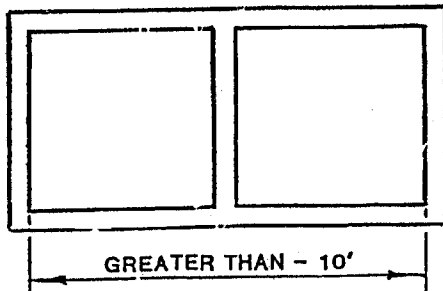
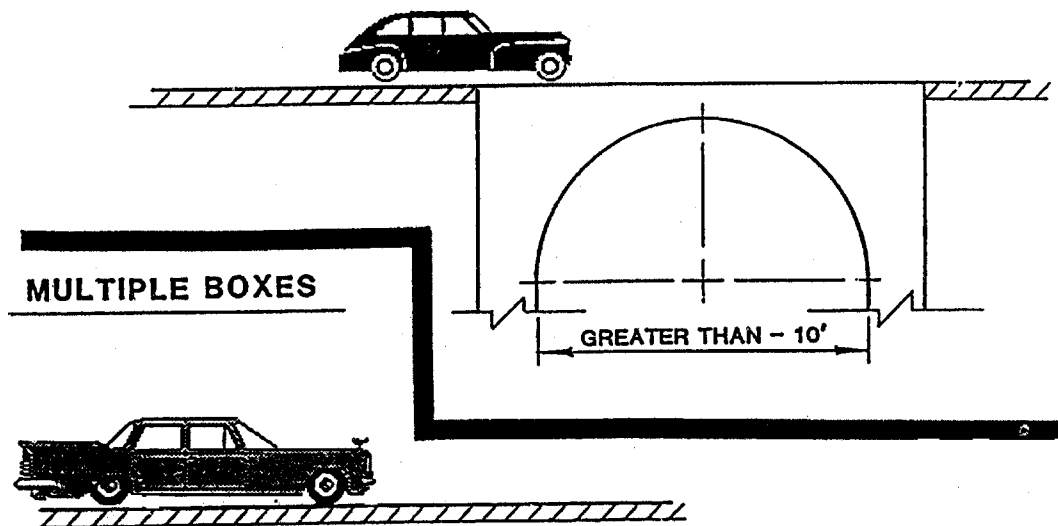
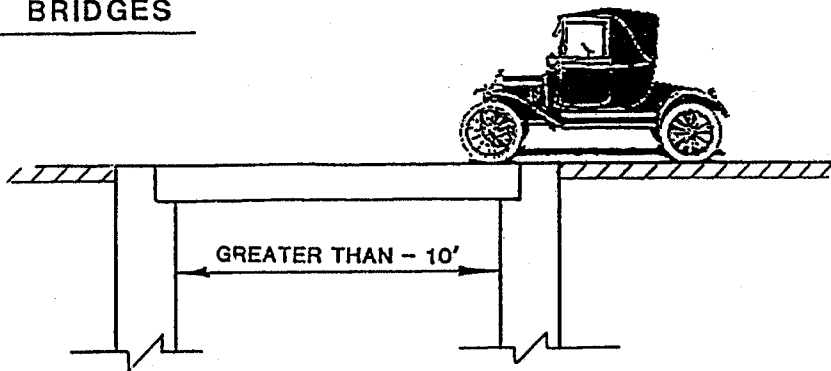


Examples of Structures Included in Bridge Inspection Program

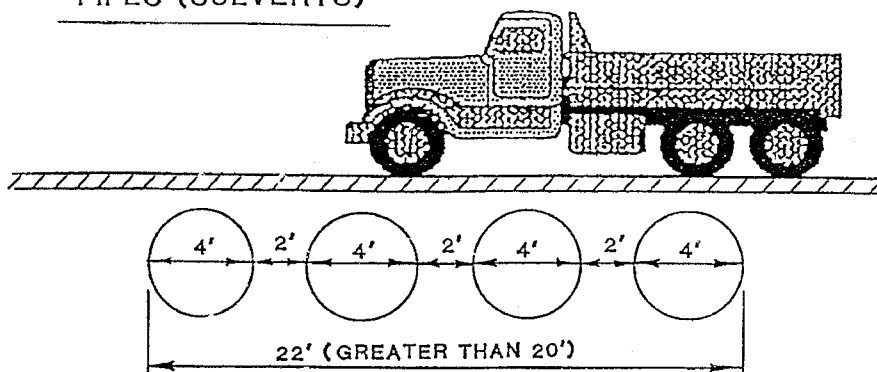
STRUCTURES INCLUDED - EXAMPLES

BRIDGES



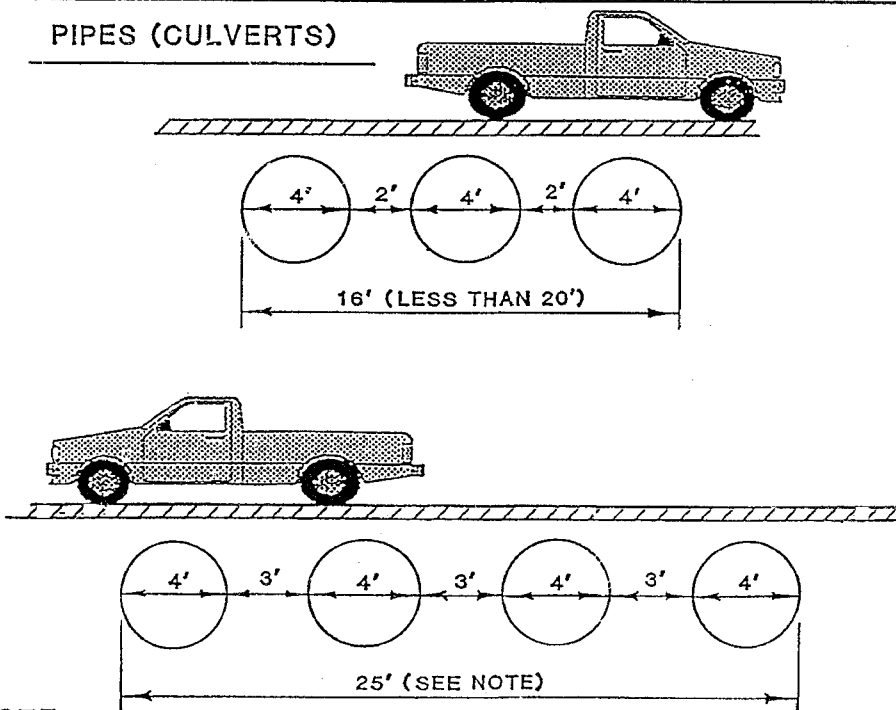
STRUCTURES INCLUDED – EXAMPLES

PIPES (CULVERTS)



STRUCTURES NOT INCLUDED – EXAMPLES

PIPES (CULVERTS)



NOTE:

DISTANCE BETWEEN PIPES IS GREATER
THAN 1/2 DIAMETER OF ADJACENT PIPES